

KISS-F illuminating part is achieved based on the traditional grid design, using LED technology and optimizing the structure and anti-glare design, lens and high reflectivity PC molding material built-in to improve the uniformity and efficiency of light. Middle layer equips with a diffuser plate and a prism transparent plate to achieve uniformity of illumination and reduce glare value to less than 14 for UGR. The outermost layer is further equipped with a square anti-glare cover to perform CUTOFF treatment on the residual light. Achieve a uniform, soft, comfortable and low glare lighting effect. Equip with high-power indirect illuminating to provide much more comfortable lights for ambient space via wider beam angle.

Total power 100W, direct light 25W and indirect light 75W, controlled individually, and support Smart functions like Daylight sensor and motion sensor functions, tunable white, customized wireless control systems like CASAMBI, SWARM, etc..

KISS-F light efficiency reach 110LM/W which can realize the illumination of two desks with 0.8\*1.6 meters, and can realize the illumination of one office space of about 20 square meters, and the light distribution effect of desktop and space is better than other same industry products.

## Features

---

Compact and quality appearance, patent design with rich texture and visual impact

---

85° beam angle direct light with perfect UGR control UGR less than 14

---

140° beam angle indirect light deliver a comfortable lighting for space

---

Direct and indirect light control Individually

---

Support for smart control functions

- touch panel dimming
  - motion sensor
  - day light sensor(optional)
  - tunable white
  - CASAMBI and SOCIL control system(optional)
- 

Lighting distribution cover two desks

---

5 years warranty

---

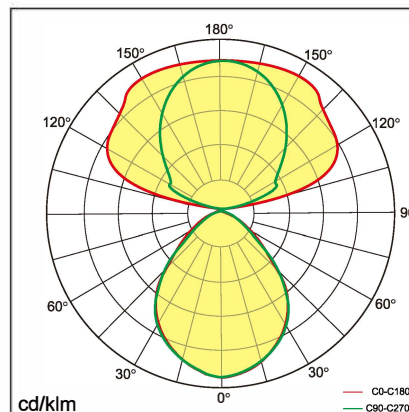
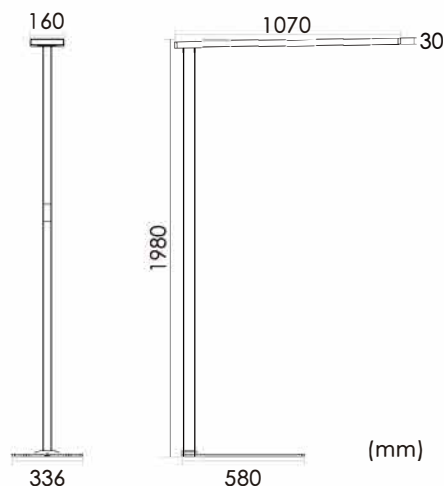
## Application Areas

For personal offices, public offices and other office space.

---



# Technical data



Item No.	BKIF-1910025-BD	BKIF-1910025-CD
Input Power	↑75W/25W↓	↑75W/25W↓
Input Voltage	AC200~240V	AC200~240V
Power Factor	≥0.9	≥0.9
Luminous Flux	↑8500lm/2250lm↓	↑7700lm/1850lm↓
UGR	<14	<14
Color Rendering Index	>80	>80
Life Time	L80(B10)50,000H	L80(B10)50,000H
Beam Angle	↑140°/85° ↓	↑140°/85° ↓
CCT	3000/4000/6000K	3000~5700K
Colour consistency SDCM	< 3	< 3
Sensor	Daylight sensor Motion sensor	Daylight sensor Motion sensor
Housing Color	Silver/White	Silver/White
Fixture Materia	6063AL	6063AL
Protection Level	IP20	IP20
Storage Temperature	-40°C~+80°C	-40°C~+80°C
Working Temperature	-20°C~+45°C	-20°C~+45°C
Net Weight	16kg	16kg
Package size	2055*330*145mm	2055*330*145mm
20GP	245pcs	245pcs
40GP	540pcs	540pcs