



The minimalist design, rich texture, perfect assembly details, and exquisite finishes give ROMI-F a unique and captivating look. The lamp holder is made of 6063 aluminum and PMMA/PC materials, UGR < 16, allowing you to enjoy a soft, healthy and wonderful lighting experience. The housing is coated with a highly uniform surface powder; ROMI-F supports dimming, CCT change.

Features

External driver with integrated light pole

Conductive pin design makes installation more convenient

Comfortable light with separate control in dimming up and down light

High light efficiency, low glare

Optional for dimming and CCT change version

$L_{max} \geq 65^\circ \leq 3000 \text{cd/m}^2$

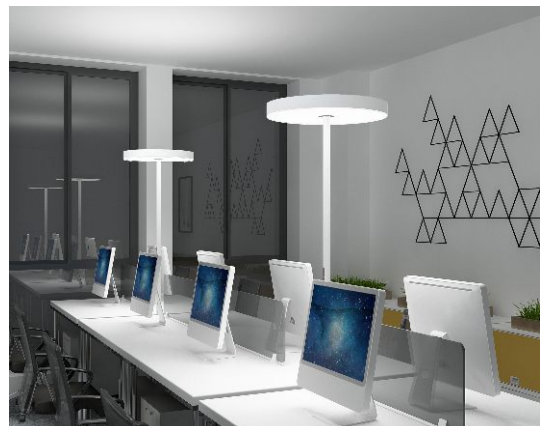
Slim lamp cap 48mm

5 years warranty

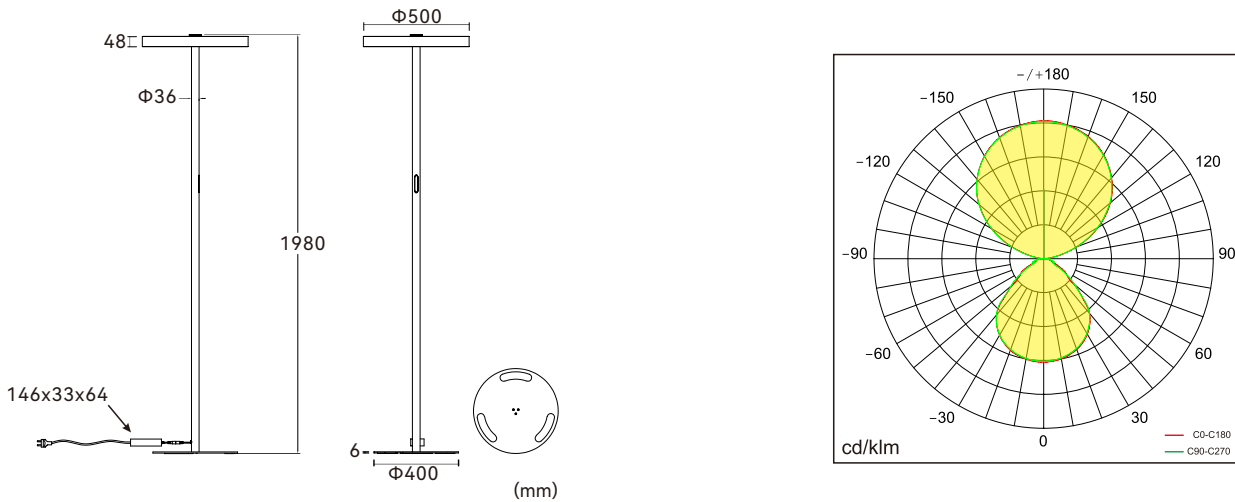
Application Areas

For negotiation rooms, small meeting rooms, BREAKOUT areas and other office areas.

Family living room, bedrooms and study rooms lighting.



Technical data



Item No.	BROF-1908040-NN	BROF-1908040-CN
Input Power(±10%)	↑ 40W/40W ↓	
Input Voltage	AC200~240V	
Power Factor	≥0.9	
Luminous Flux(±10%)	↑ 6000lm/3600lm ↓	↑ 5750lm/3372lm ↓
UGR	<16	
Color Rendering Index	>80	
Life Time	L80(B10)50,000H	
Beam Angle	↑ 115°/90° ↓	
CCT(±200K)	3000/4000/6000K	3000~5700K
Colour consistency SDCM	< 3	
Dimming	Touch panel dimming	
Sensor	NO	
Housing Color	Silver/White/Black	
Fixture Materia	6063AL	
Protection Level	IP20	
Storage Temperature	-40°C~+80°C	
Working Temperature	-20°C~+45°C	
Net Weight	13.1 kg	
Package size	585*585*150mm(head&base) / 2055*115*120mm(pole)	
20GP	380pcs	
40GP	800pcs	